

TRANSISTOR	Q1			Q6			Q14			Q16		
	E	C	B	E	C	B	E	C	B	E	C	B
PIN												
FM 87.5MHZ NO SIGNAL	0	7.9	0.8	8.9	8.8	0	5.4	5.3	4.7	1.0	3.4	1.7
AM 522KHZ NO SIGNAL	0	0	0	8.9	0	8.8	5.4	0.3	8.8	1.0	3.4	1.7

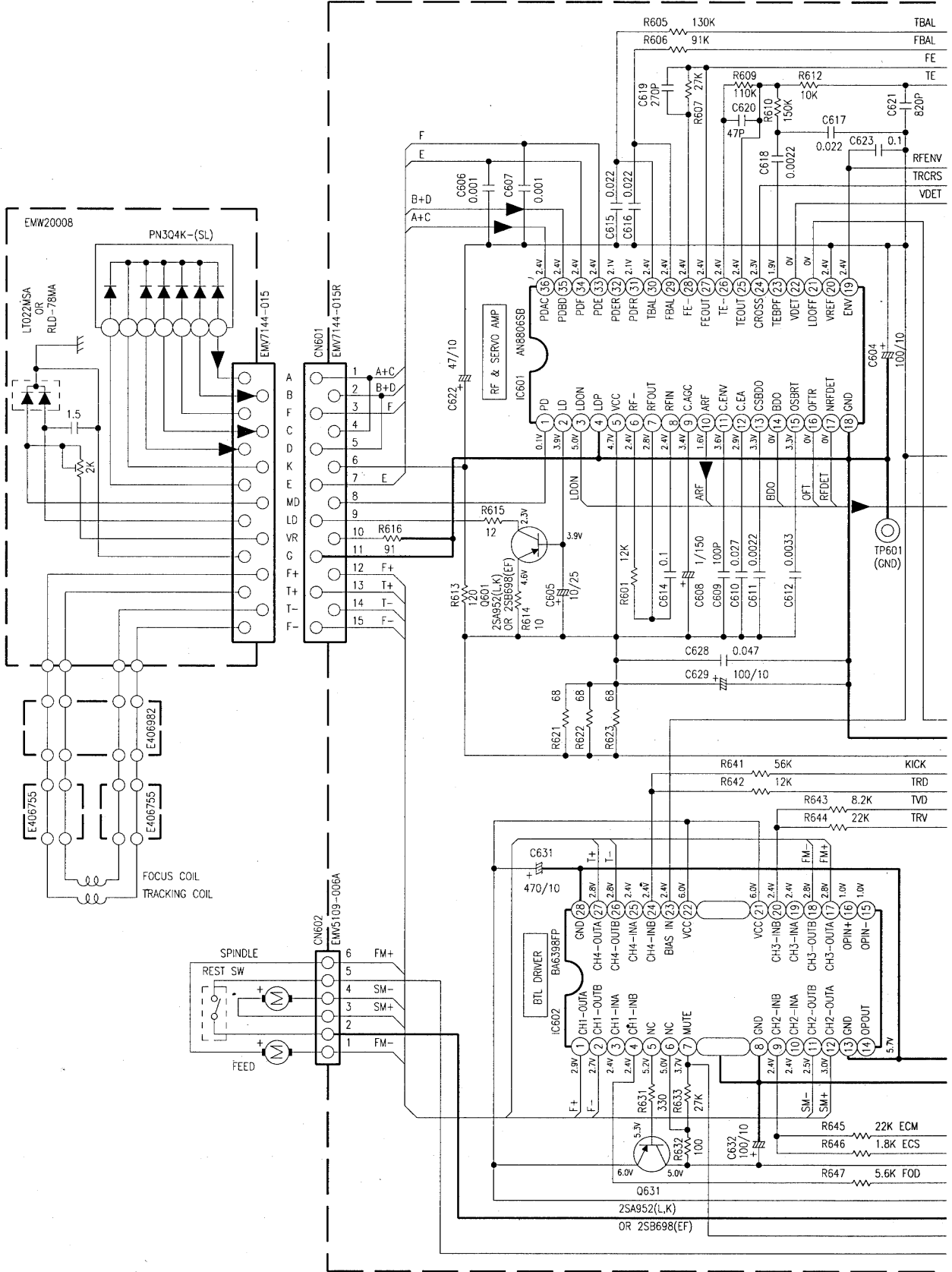
TRANSISTOR	Q2			Q3			Q4		
	E	C	B	E	C	B	E	C	B
PIN									
AM 522KHZ NO SIGNAL	2.0	2.0	0.1	0	0	0.7	0	0	0.7
AM 144KHZ NO SIGNAL	2.0	2.0	2.0	0	0	0	0	0	0

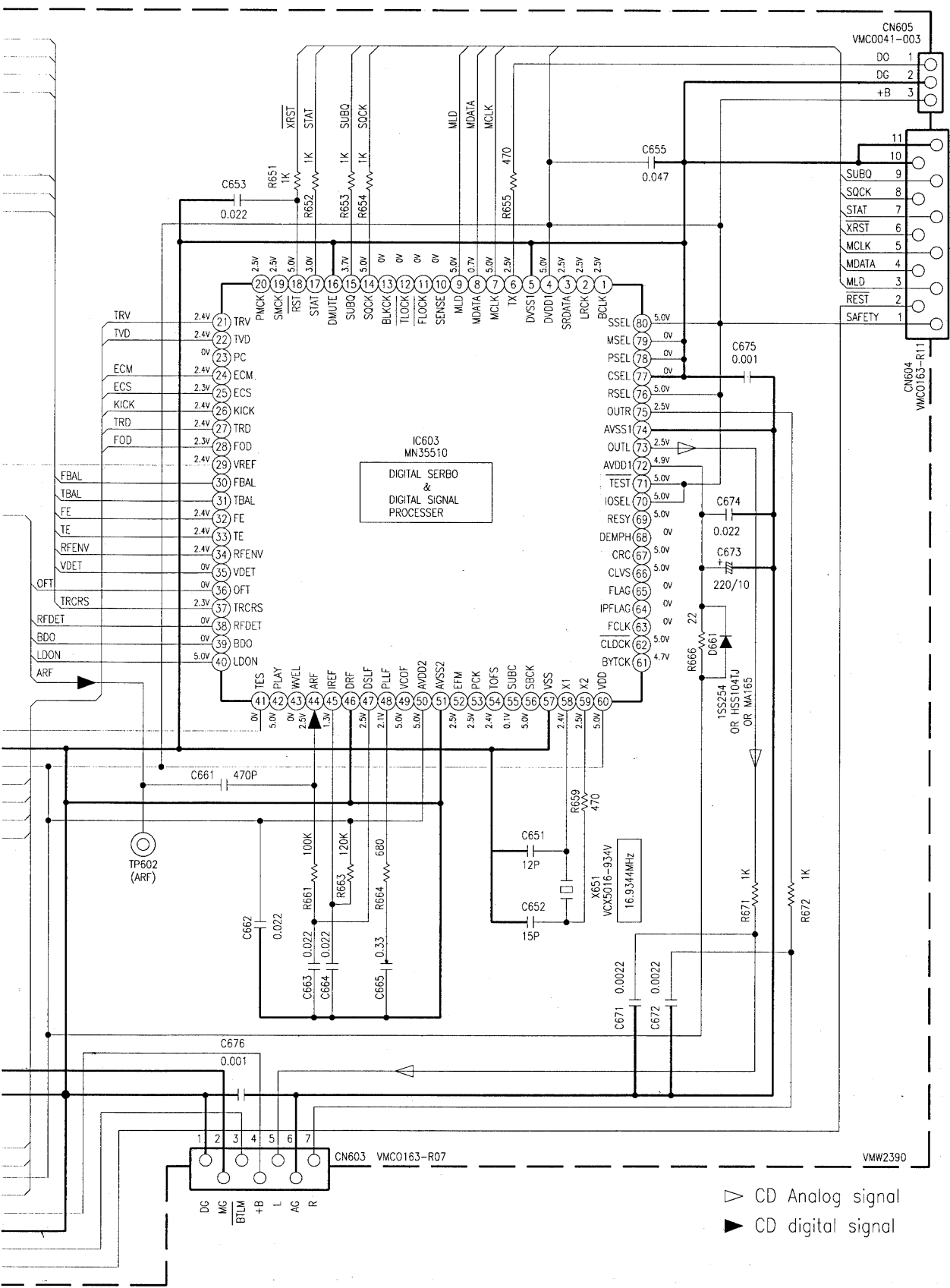
- FM Radio signal
- MW Radio signal
- LW Radio signal

VMCO163-009

EMW5109-009A

TO FLAM





▷ CD Analog signal  
 ▲ CD digital signal

CN605  
 VMCO041-003  
 DO 1  
 DG 2  
 +B 3

11  
 10  
 9 SUBQ  
 8 SOCK  
 7 STAT  
 6 XRST  
 5 MCLK  
 4 MDATA  
 3 MLD  
 2 REST  
 1 SAFETY

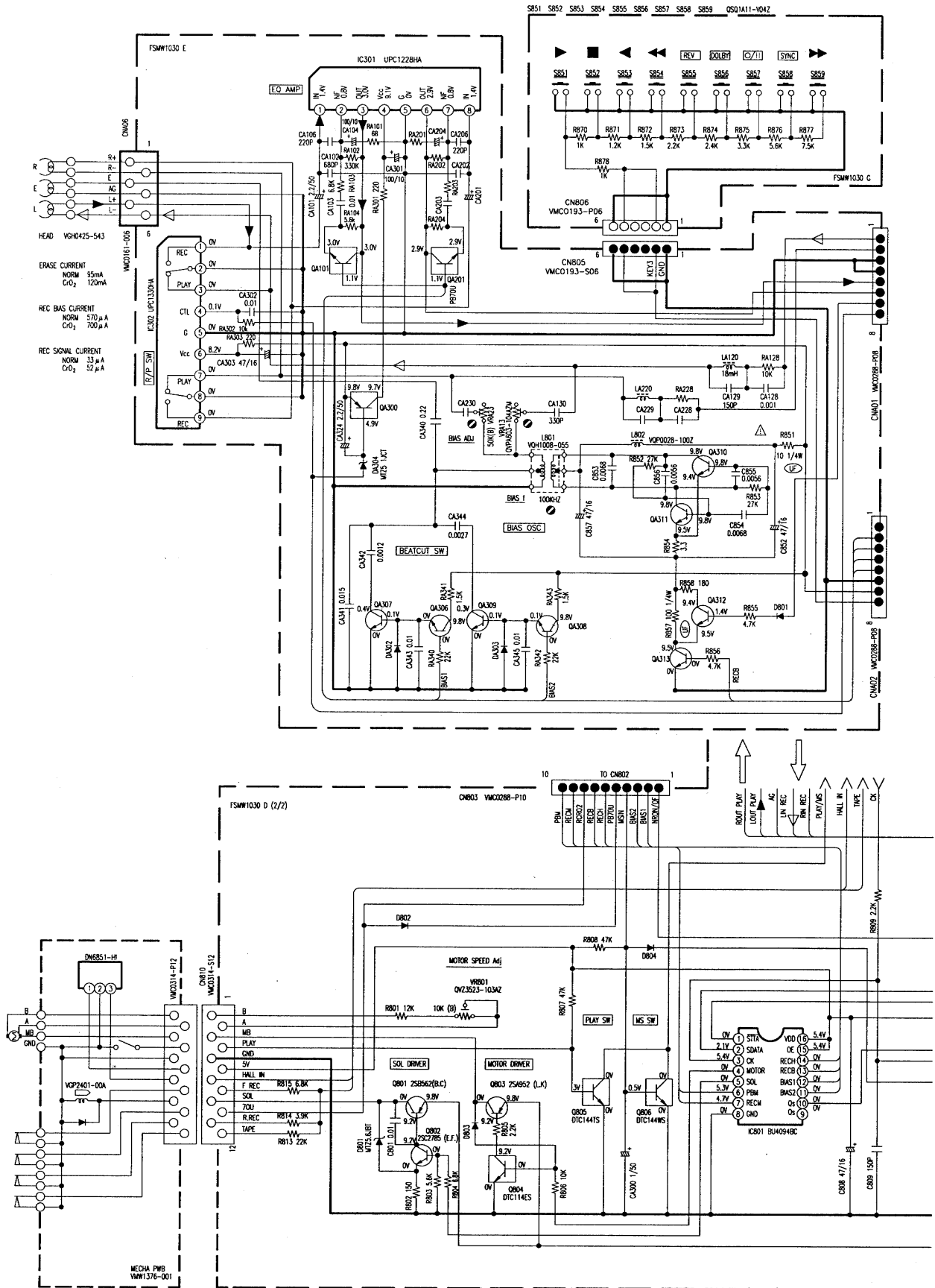
CN604  
 VMCO163-R11

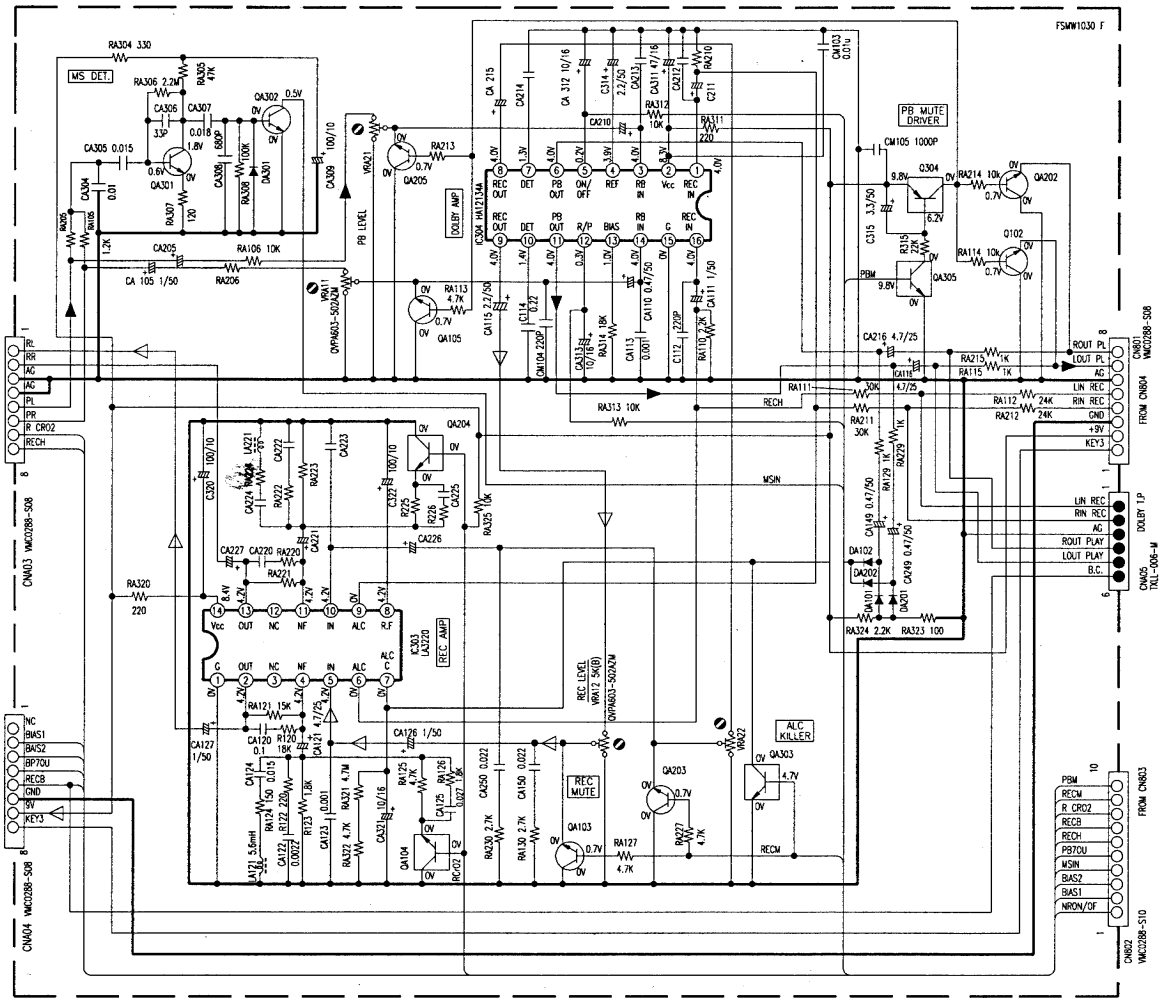
IC603  
 MN35510  
 DIGITAL SERBO  
 &  
 DIGITAL SIGNAL  
 PROCESSOR

CN603 VMCO163-R07

VMW2390

DC  
 MC  
 BTLM  
 +B  
 L  
 AC  
 R





TO FSD4002-005AX OR FSD4002-007AX (POWER AMP SECTION)

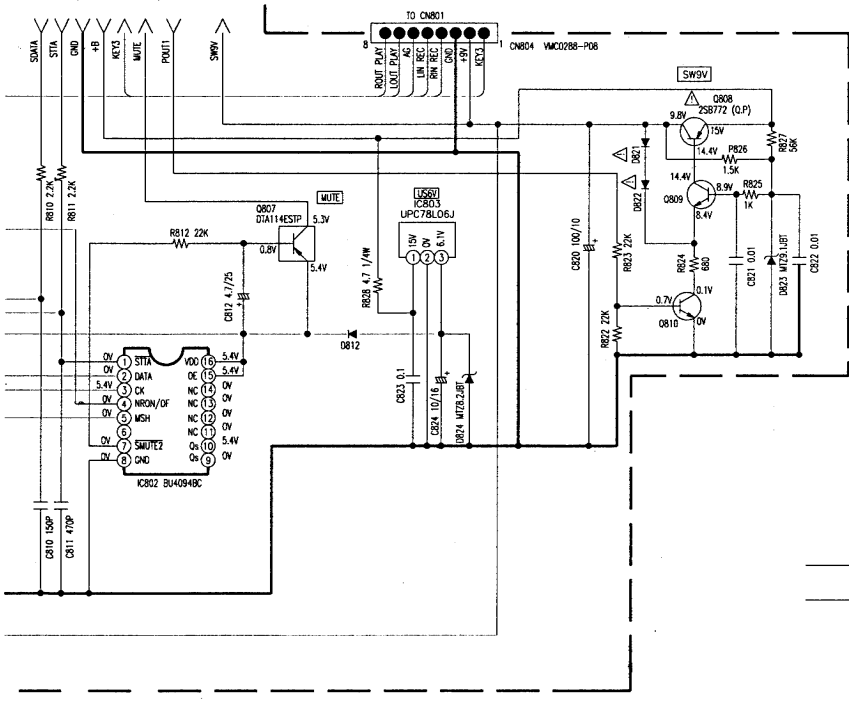


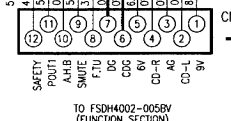
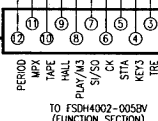
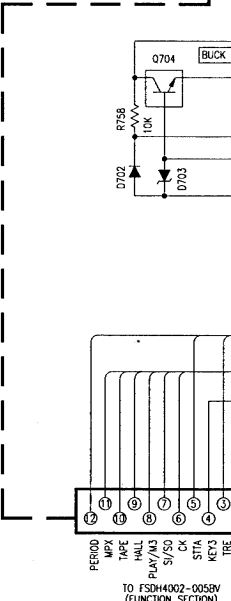
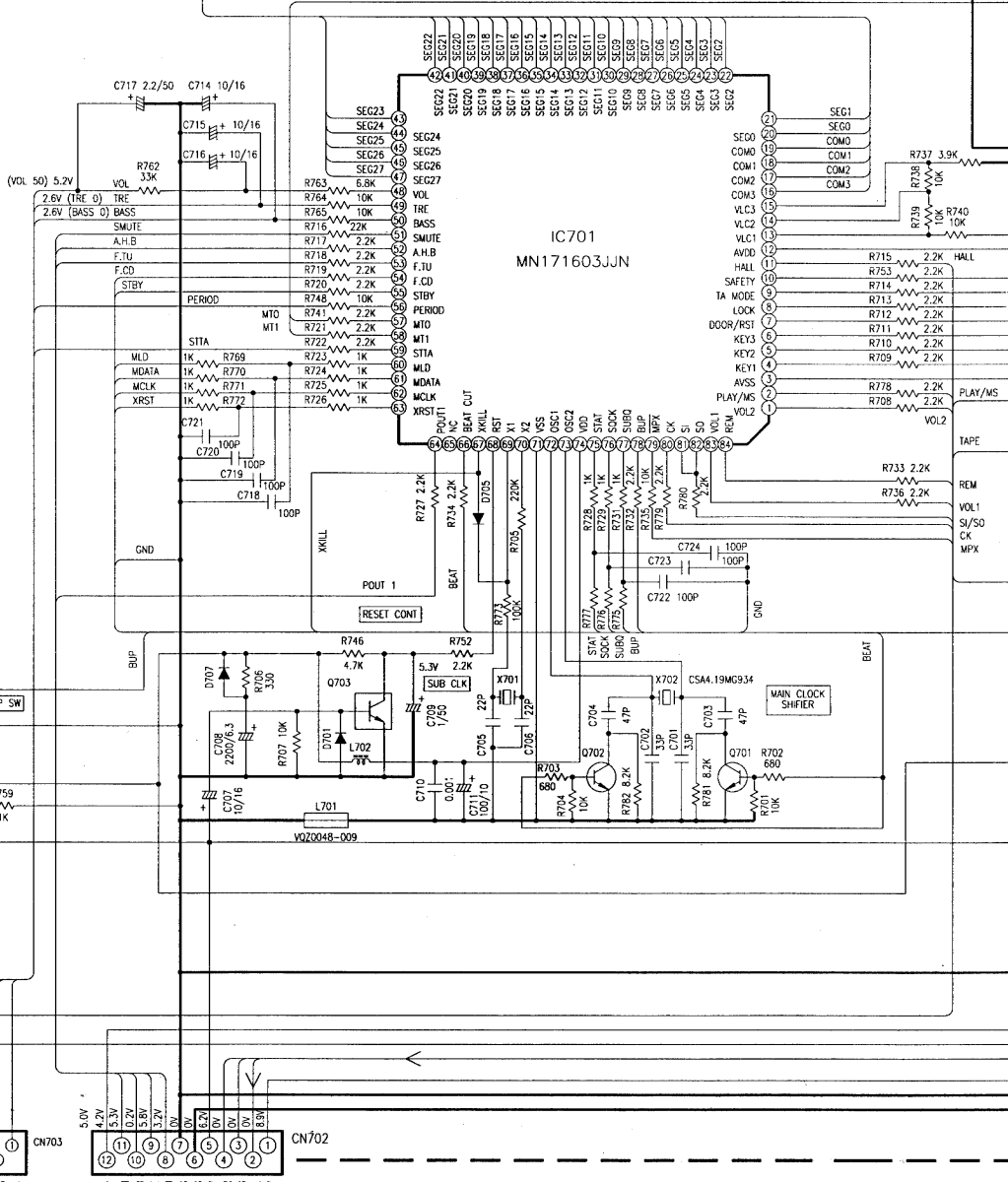
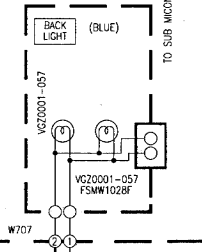
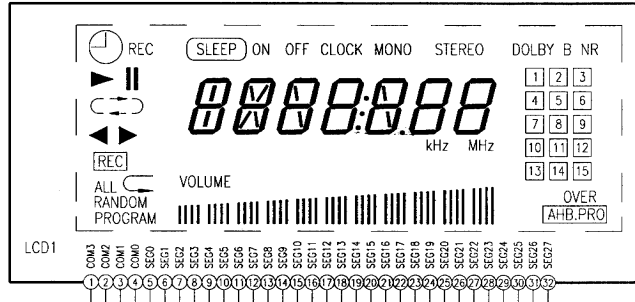


TABLE 1 T.R. LIST

QA301-QA302-QA306	2SC2785(C.F.)
QA308-Q802-Q809-Q810	OR 2SC17405(S.T.)
QA102-QA103-QA105, QA202-QA203-QA205	2SD1302(S.T.)
QA310-QA311-QA312 QA313	
QA307-QA309	2SC1845(E.L.)

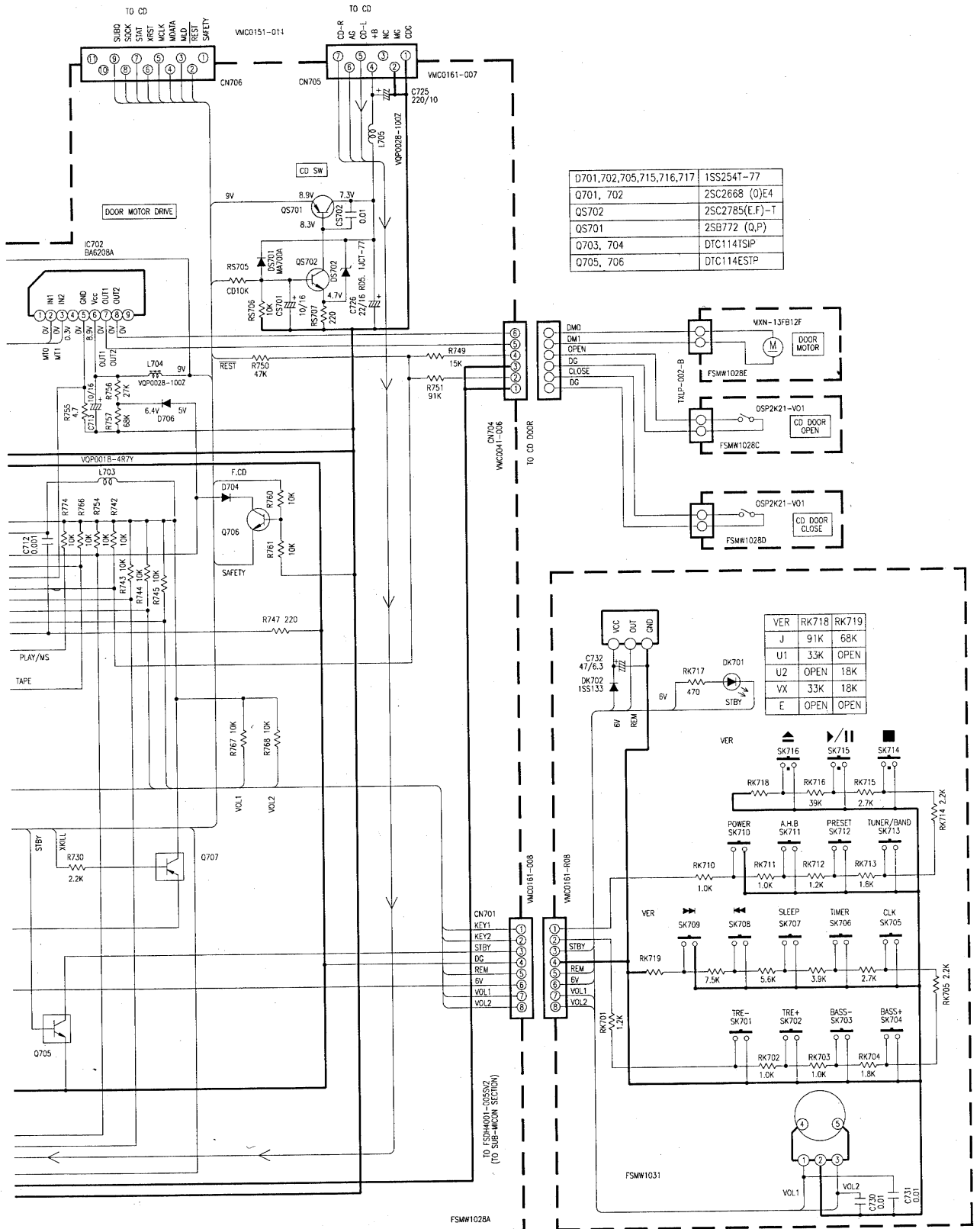
 REC Signal line  
 Tape/P.B Signal line



WC0161-R12

TO FSDH4002-0055V (FUNCTION SECTION)

TO FSDH4002-0056V (FUNCTION SECTION)



D701, 702, 705, 715, 716, 717	1SS254T-77
Q701, 702	2SC2668 (Q)E4
Q5702	2SC2785(E,F)-T
Q5701	2SB772 (Q,P)
Q703, 704	DTC1141SIP
Q705, 706	DTC114ESTP

VER	RK718	RK719
J	91K	68K
U1	33K	OPEN
U2	OPEN	18K
VX	33K	18K
E	OPEN	OPEN

CD Analogy signal

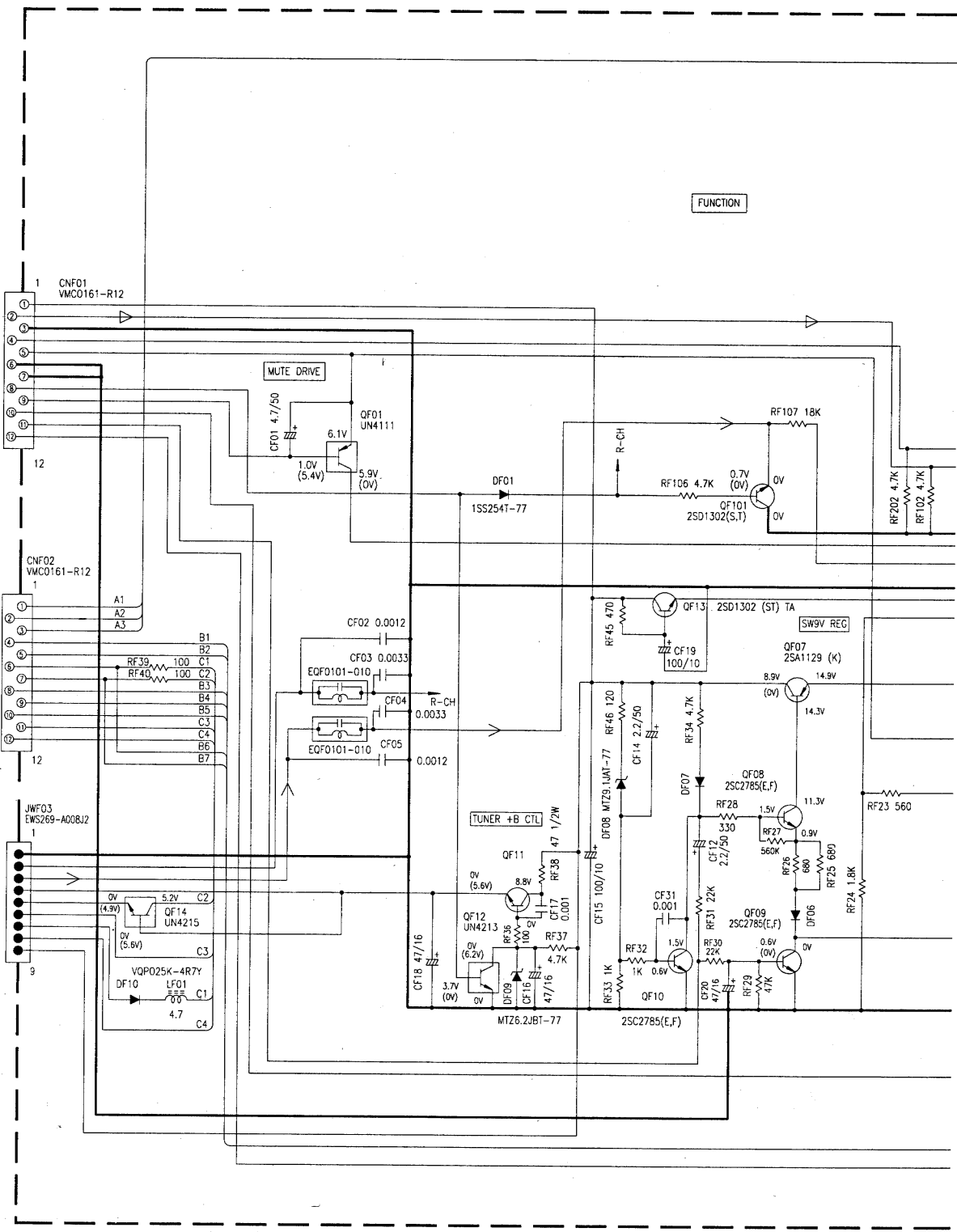


FUNCTION

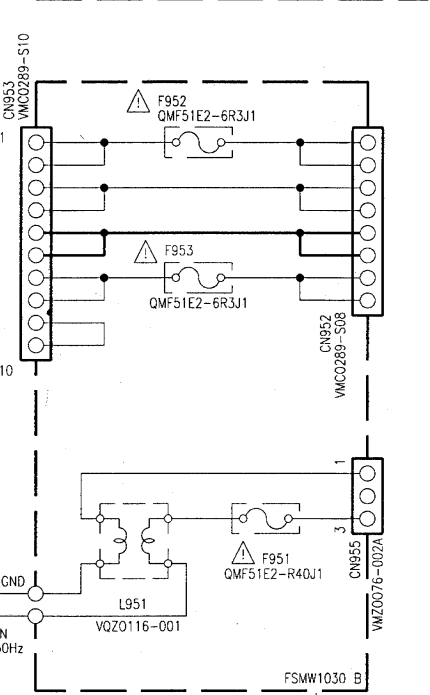
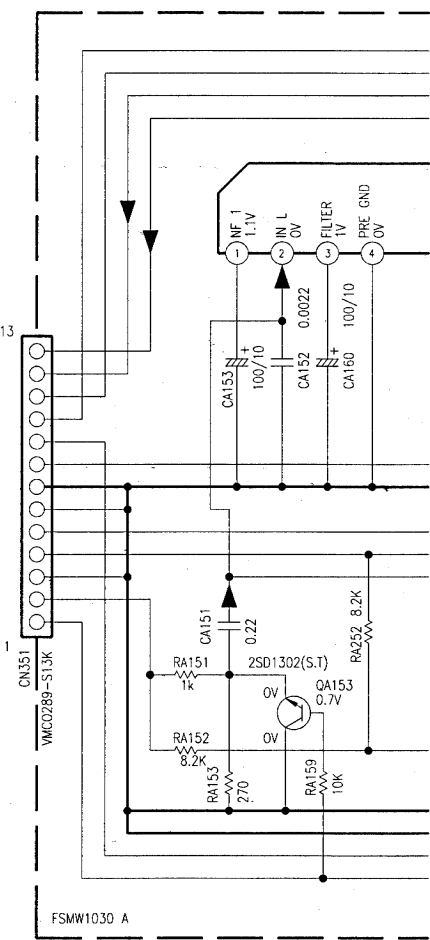
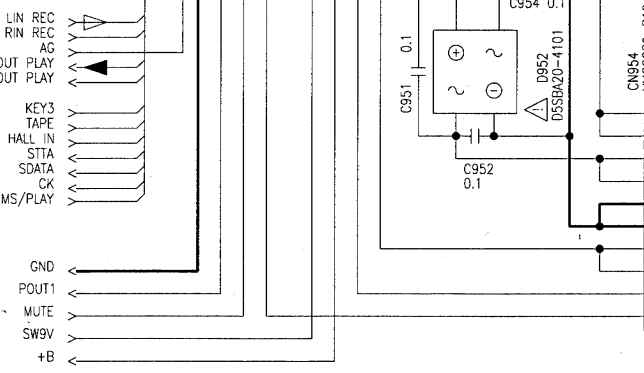
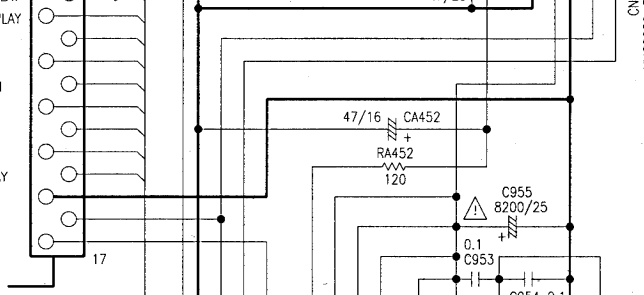
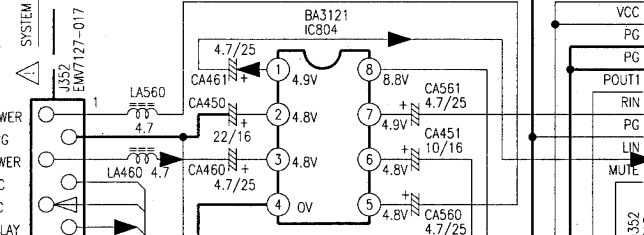
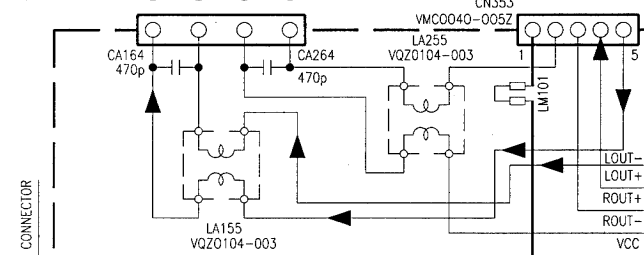
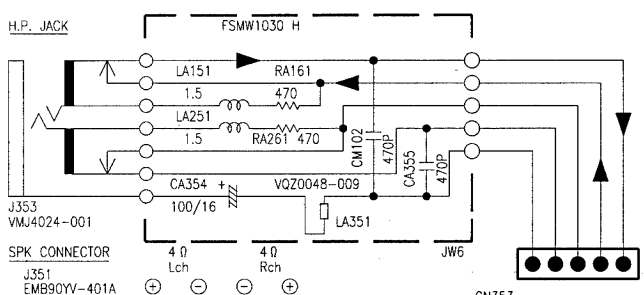
TO (UCOM SECTION)  
 +9V  
 CD-L  
 AG  
 CD-R  
 +6V  
 CDG  
 DC  
 FTU  
 SMUTE  
 AHB  
 POUT  
 SAFETY

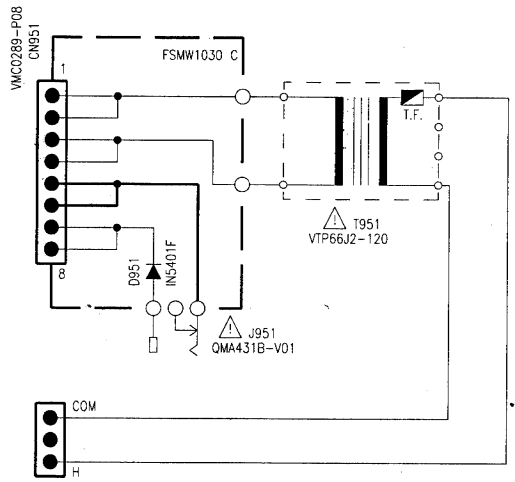
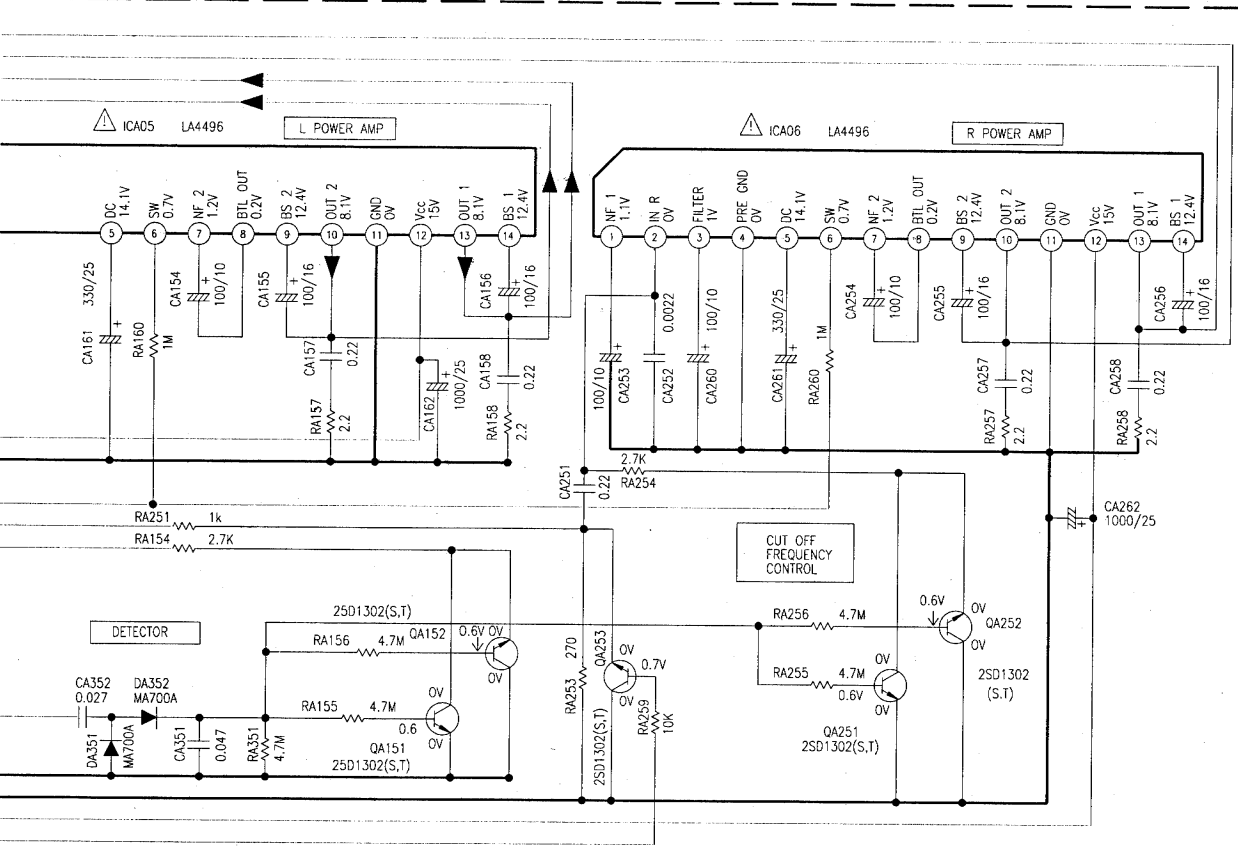
TO (UCOM SECTION)  
 VOL  
 BASS  
 TRE  
 KEY3  
 SITA  
 CK  
 SI/SO  
 PLAY/MS  
 HALL  
 TAPE  
 MPX  
 PERIOD

TO (UCOM SECTION)  
 AG  
 R-CH  
 L-CH  
 B  
 DATA  
 MPX  
 CK  
 PERIOD  
 9V









- ▷ REC Signal
- ▶ Tape P.B Signal

